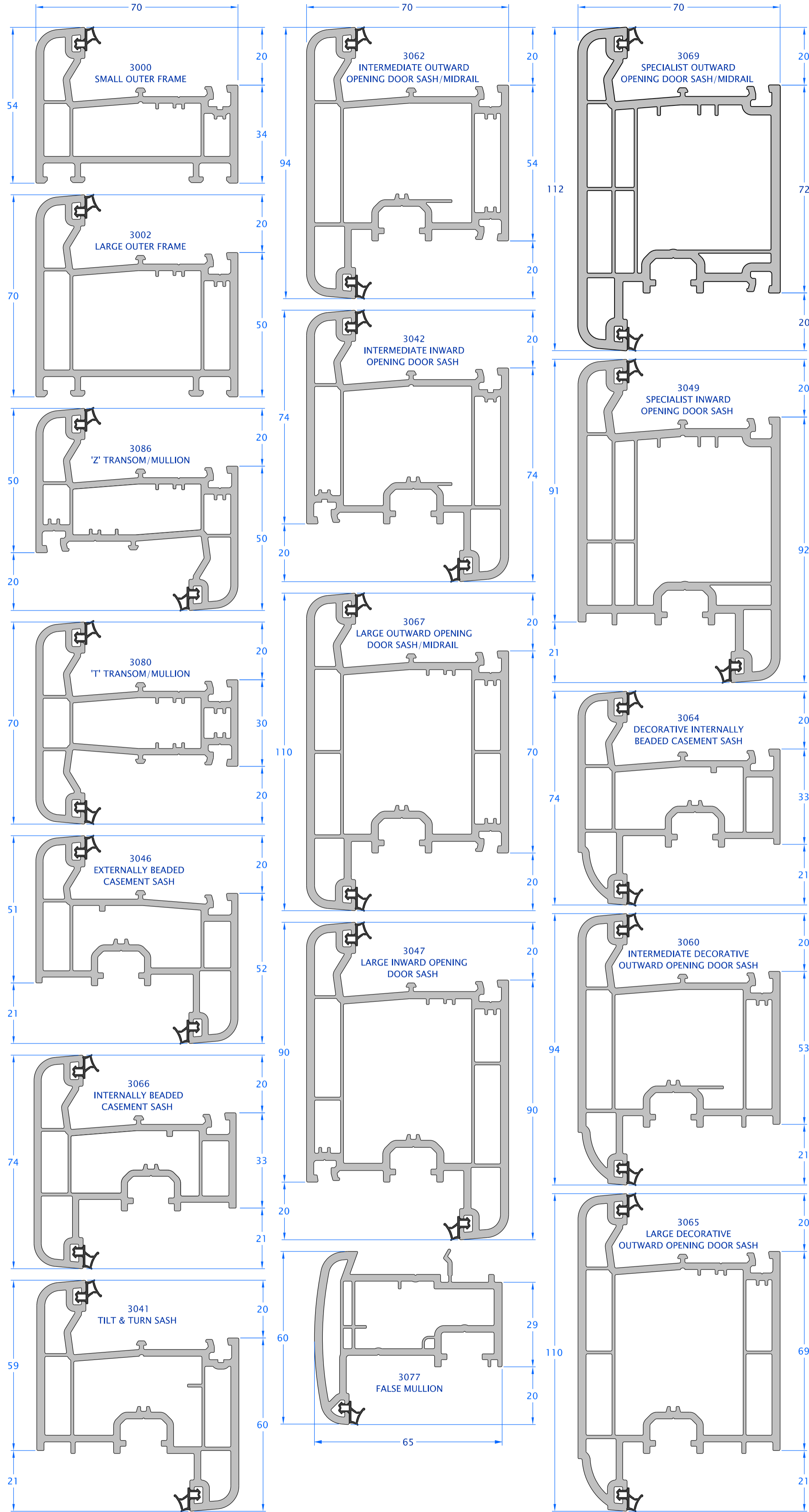
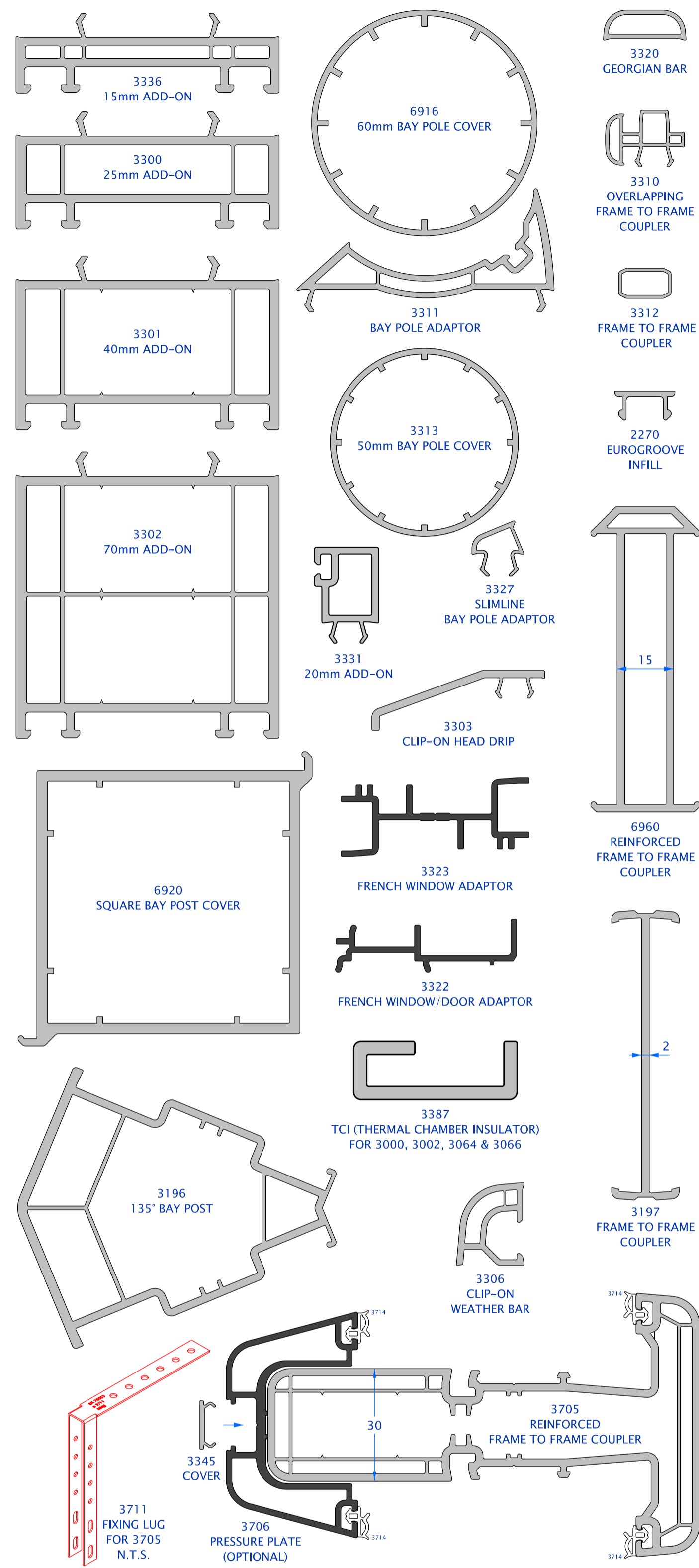


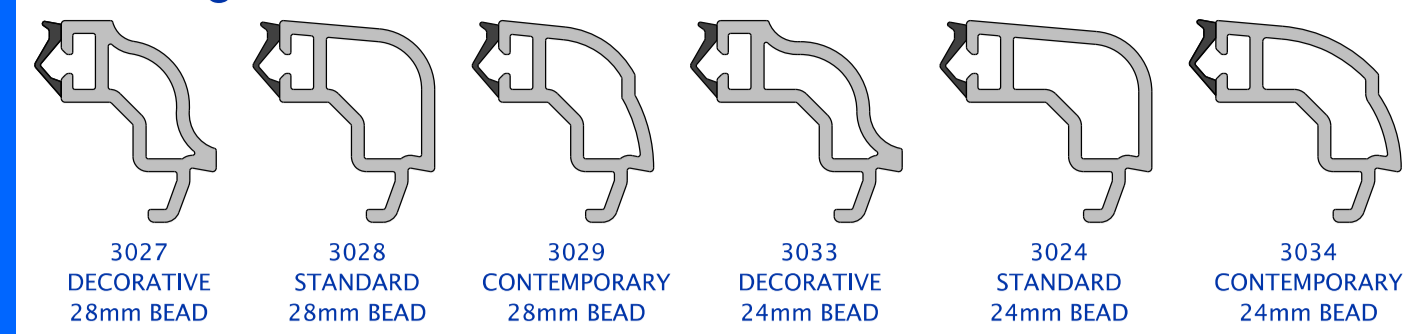
Main Frame



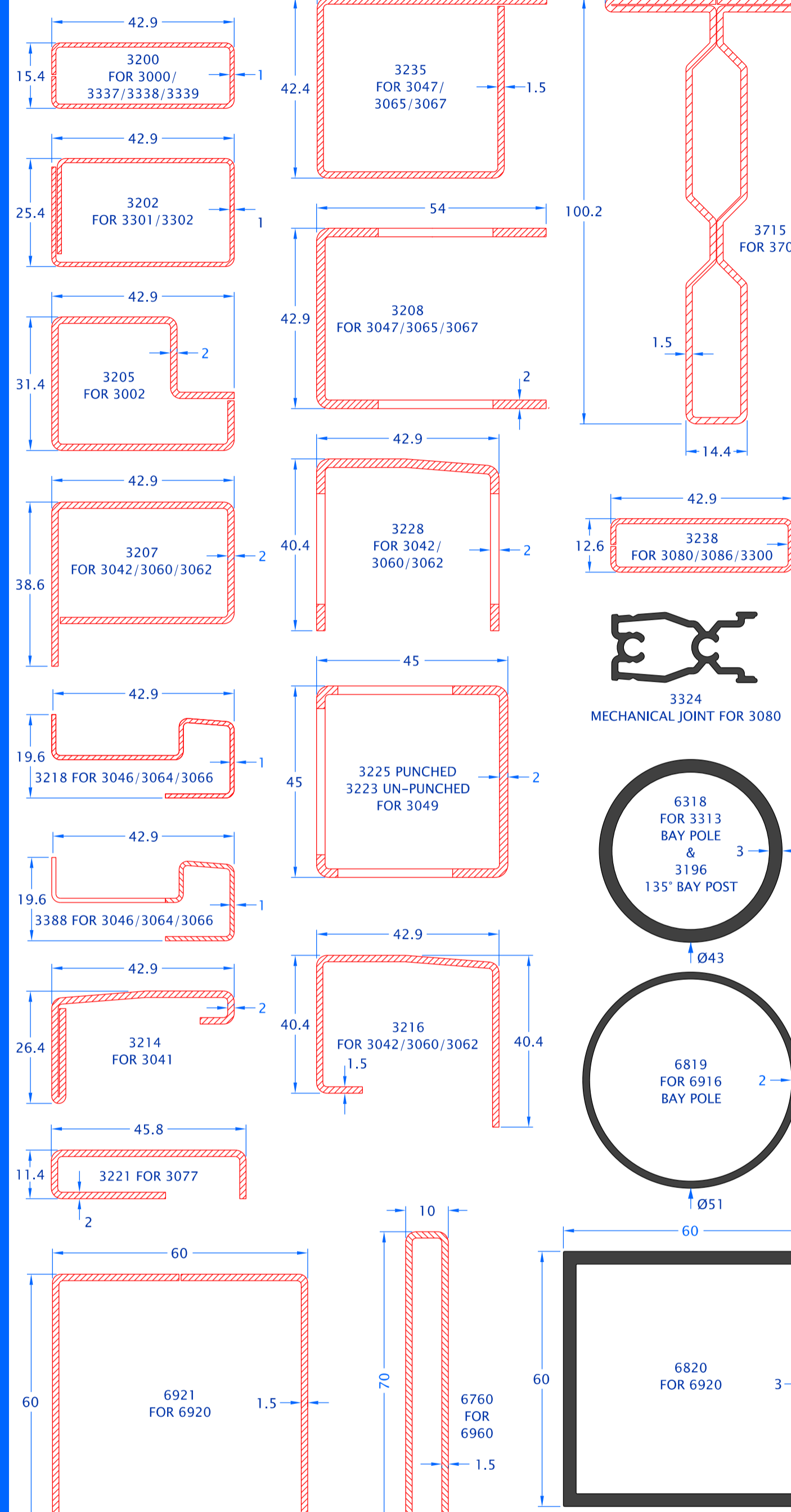
Ancillaries



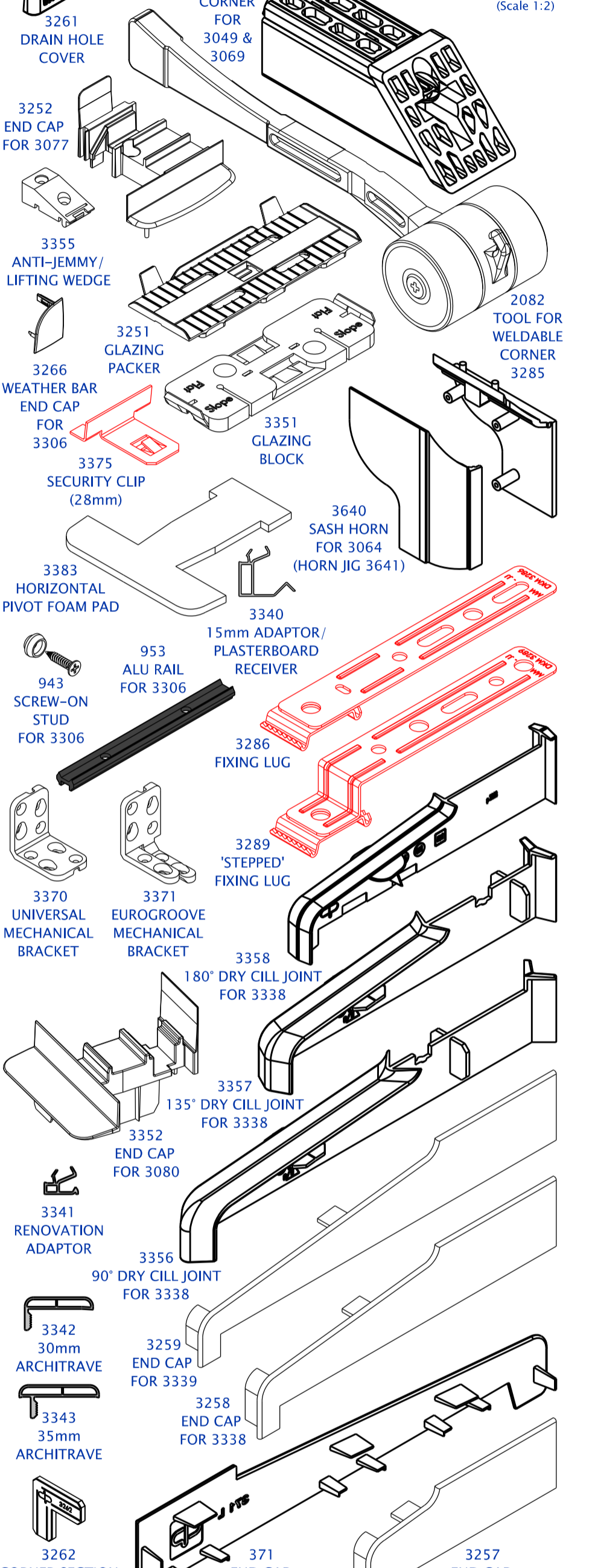
Glazing Beads & Gaskets



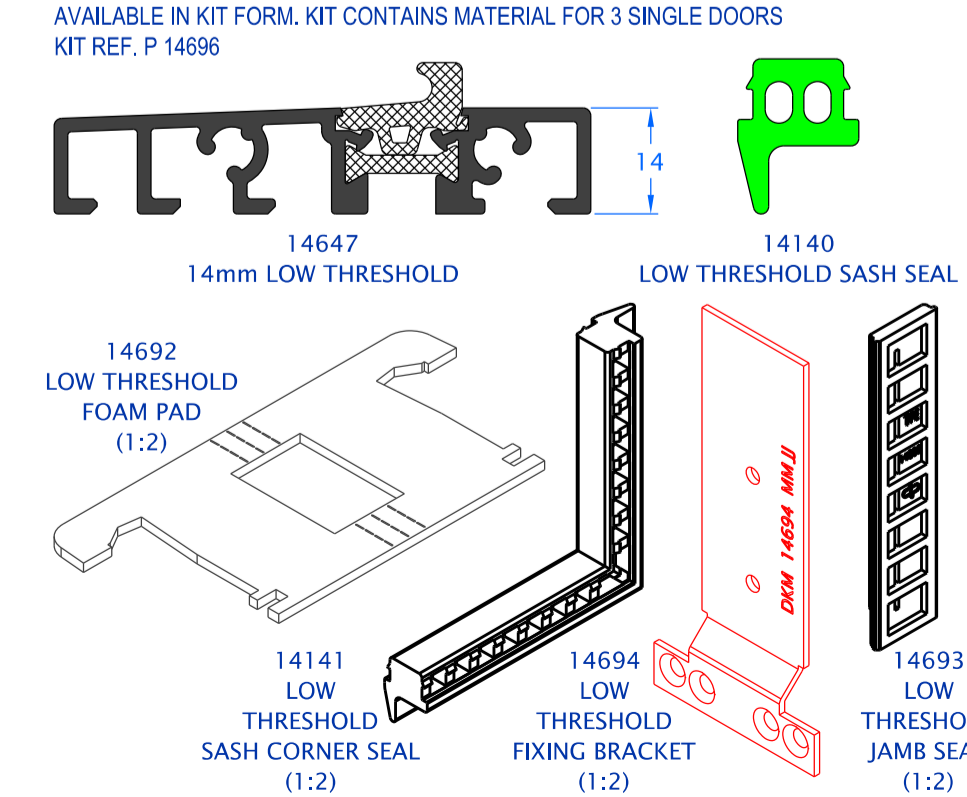
Reinforcement



Injection Mouldings & Remaining Ancillaries



Low Threshold



Cills

