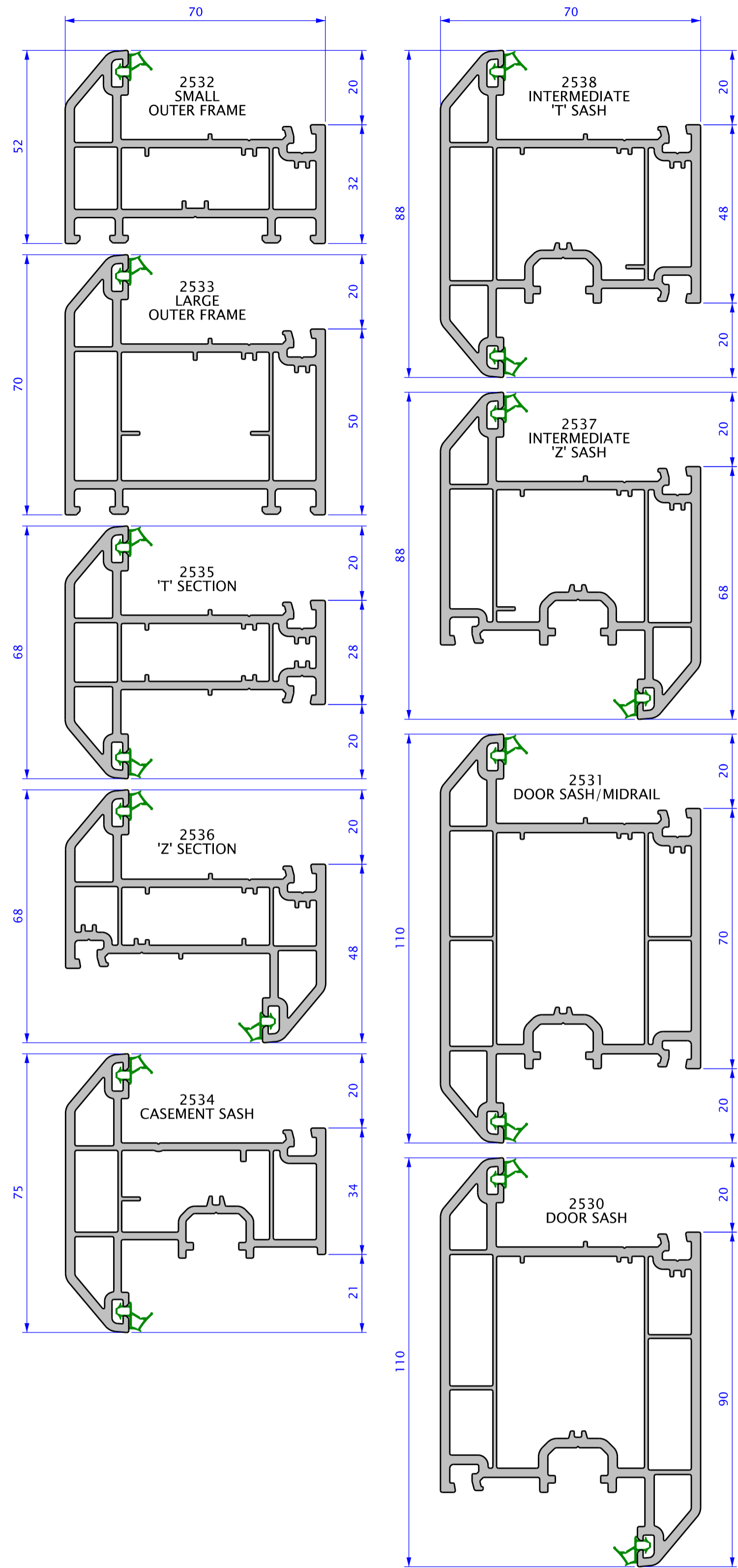
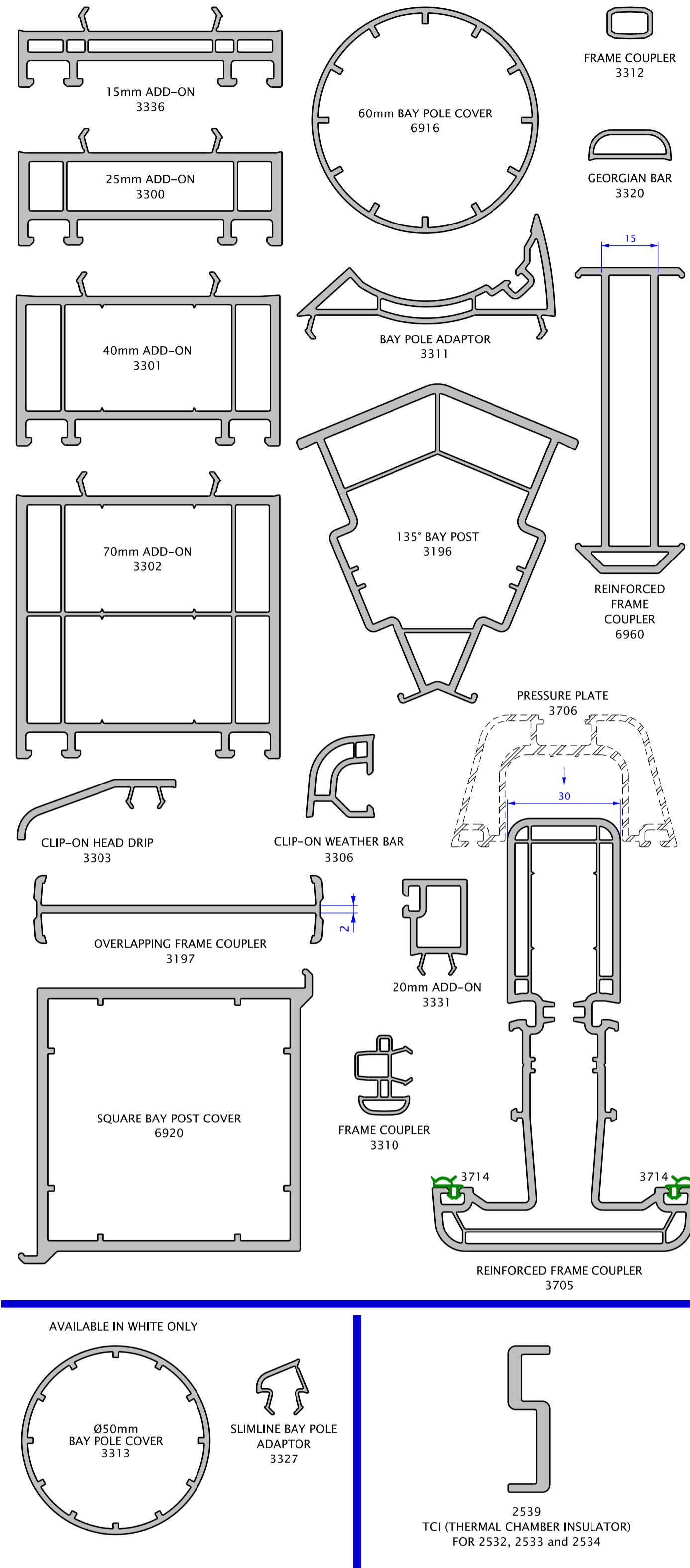


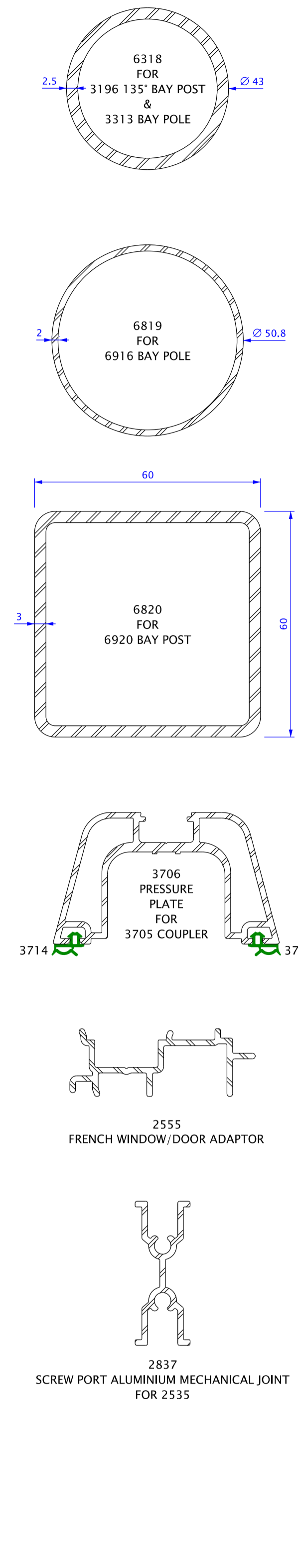
Main Frame



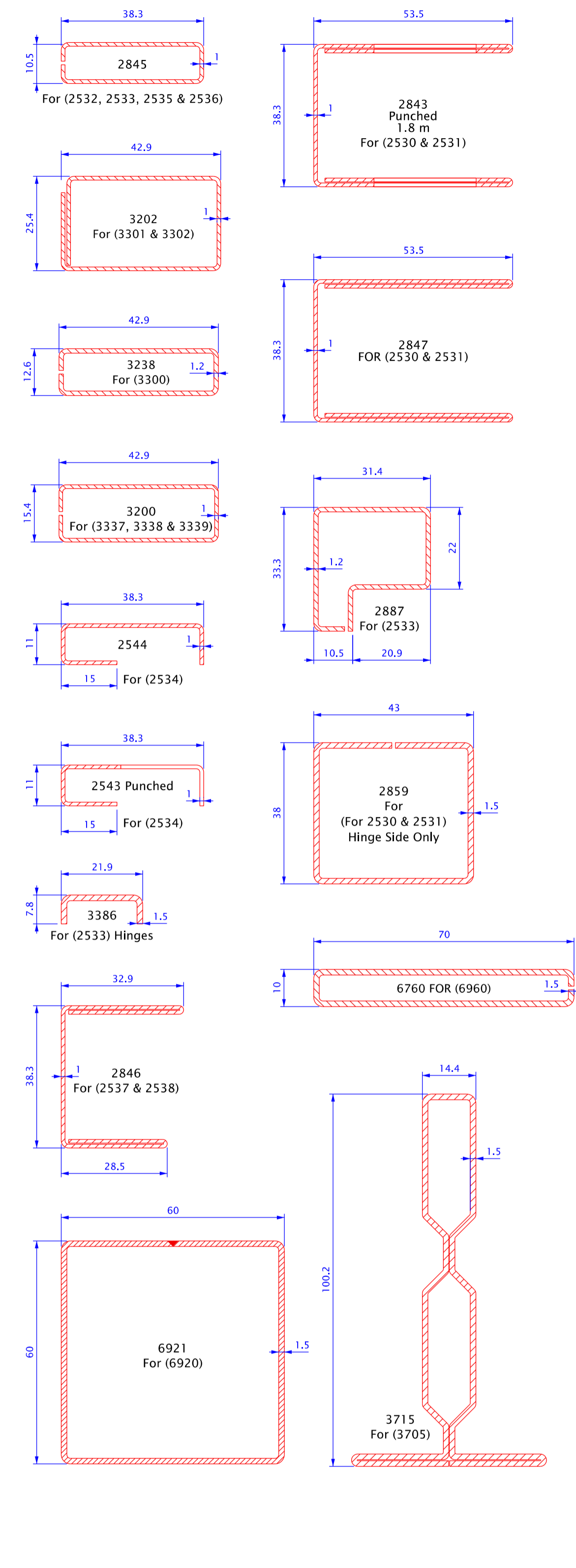
Ancillaries



Aluminium Sections

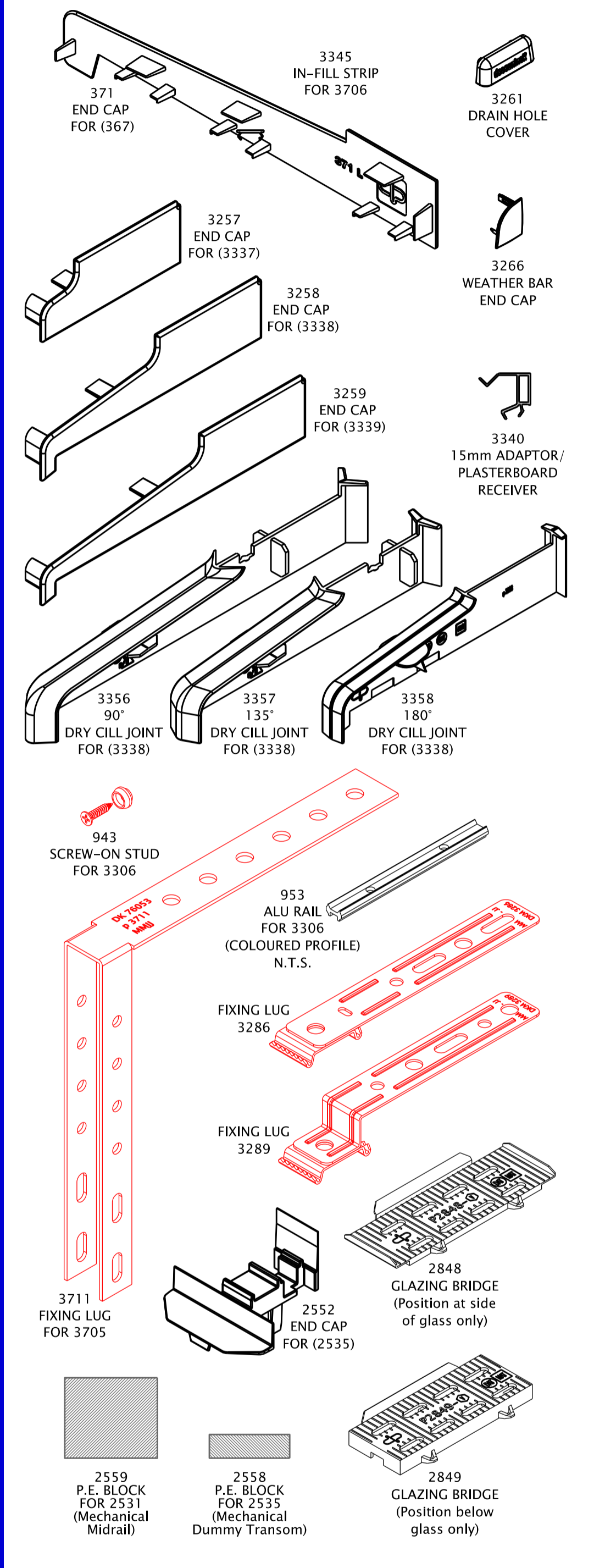


Steel Reinforcing

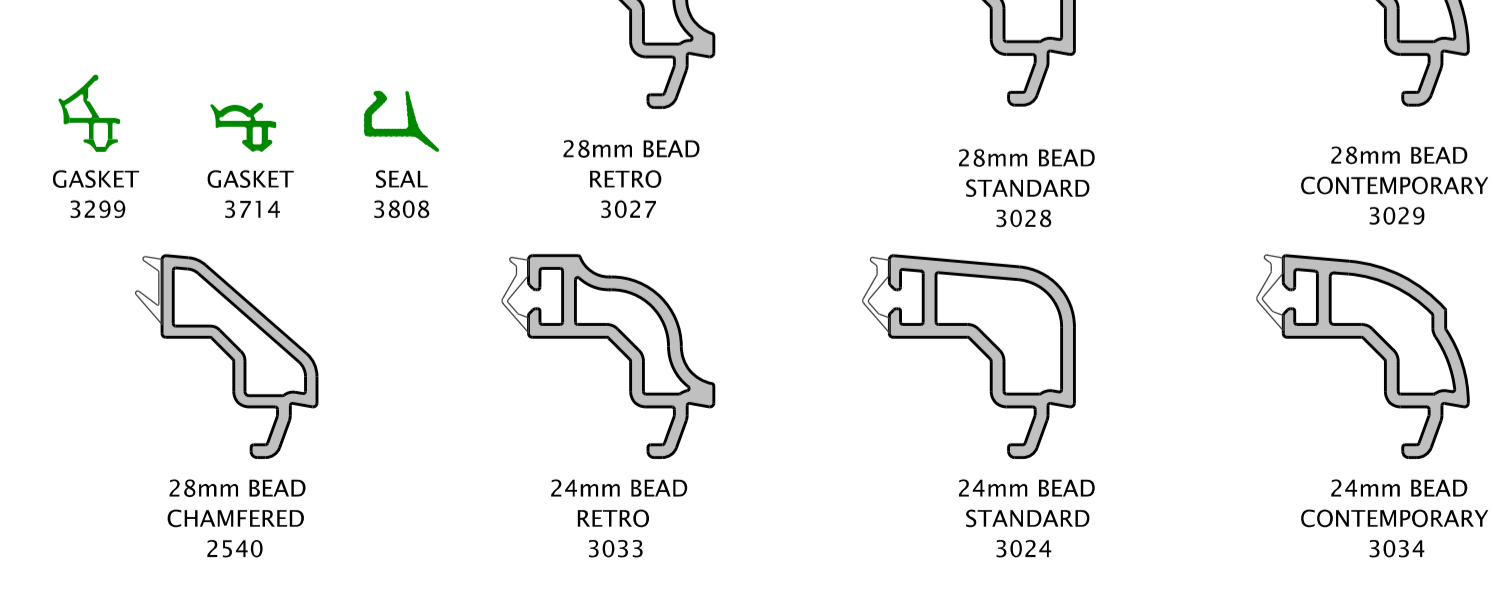


2500 chamfered

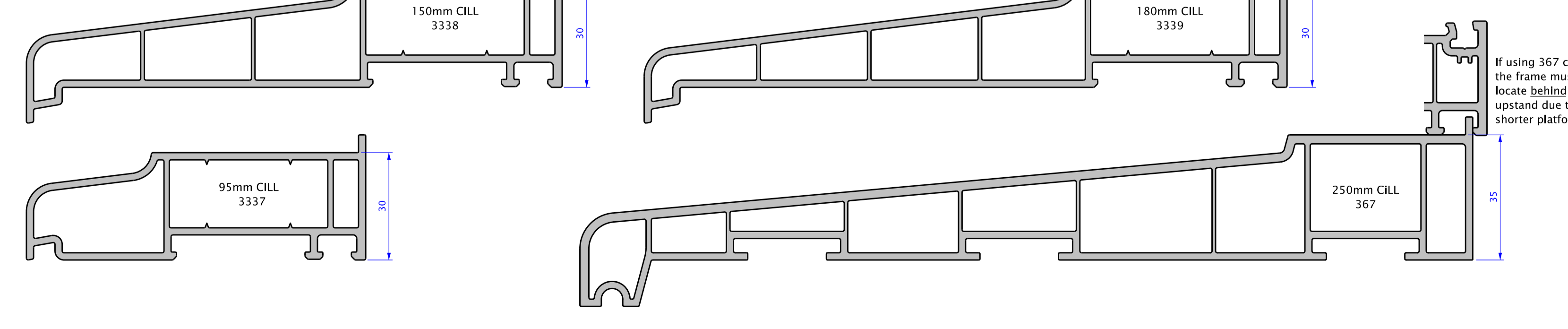
Injection Mouldings & Remaining Ancillaries (1:2)



Glazing Bead, Gaskets & Seals



Cills



Low Threshold (1:2)

